



GEOPOLYMER
INTERNATIONAL
SMART STRONG SUSTAINABLE

GP Applications in the USA

Tarek Maassarani
Geopolymer Camp
July 9, 2024



SMART
STRONG
SUSTAINABLE



GEPOLYMER
INTERNATIONAL
SMART STRONG SUSTAINABLE





GEPOLYMER
INTERNATIONAL
SMART STRONG SUSTAINABLE





GEOPOLYMER
INTERNATIONAL
SMART STRONG SUSTAINABLE





GEPOLYMER
INTERNATIONAL
SMART STRONG SUSTAINABLE





GEOPOLYMER
INTERNATIONAL
SMART STRONG SUSTAINABLE





GEPOLYMER
INTERNATIONAL
SMART STRONG SUSTAINABLE





GeoCement



GEOPOLYMER
INTERNATIONAL
SMART STRONG SUSTAINABLE









Geopolymers and art



GEOPOLYMER
INTERNATIONAL
SMART STRONG SUSTAINABLE



SUSTAINABLE
CONSTRUCTION
SOLUTIONS



GEOPOLYMER
INTERNATIONAL
SMART STRONG SUSTAINABLE

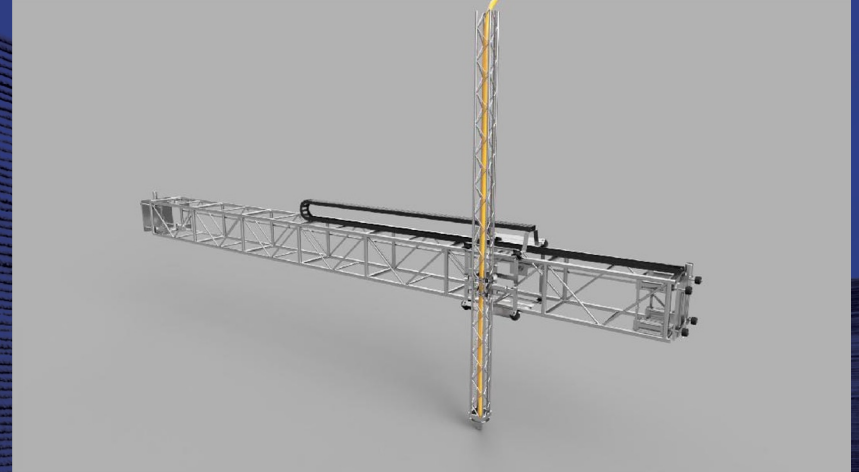
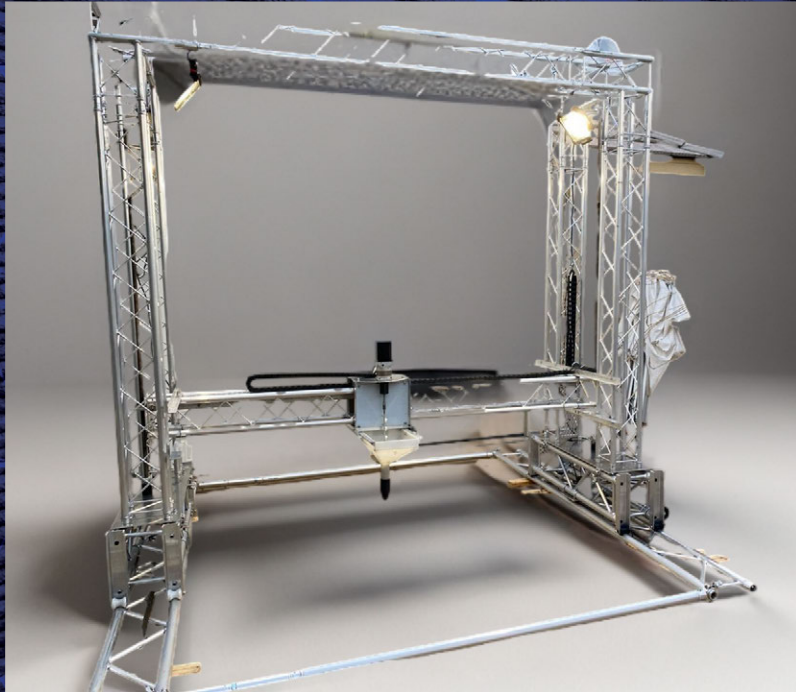


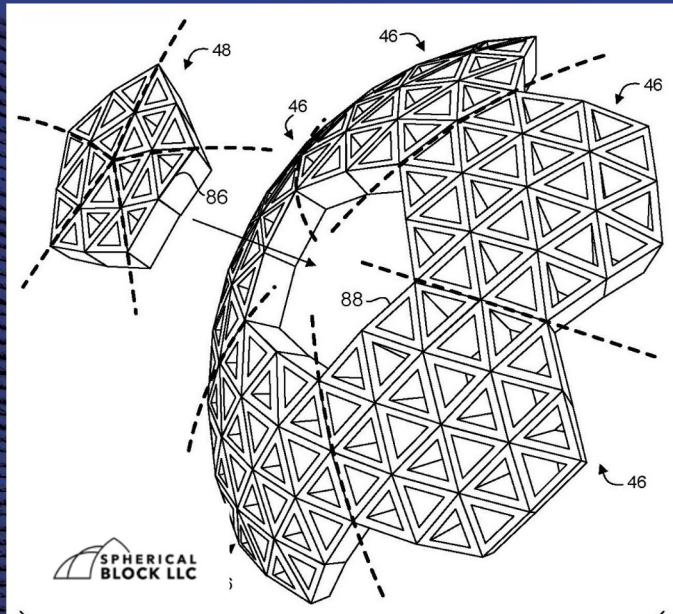


SUSTAINABLE
CONSTRUCTION
SOLUTIONS



GEOPOLYMER
INTERNATIONAL
SMART STRONG SUSTAINABLE





GEOPOLYMER
INTERNATIONAL
SMART STRONG SUSTAINABLE



Merci!

We hope to collaborate with you.



GEOPOLYMER
INTERNATIONAL
SMART STRONG SUSTAINABLE